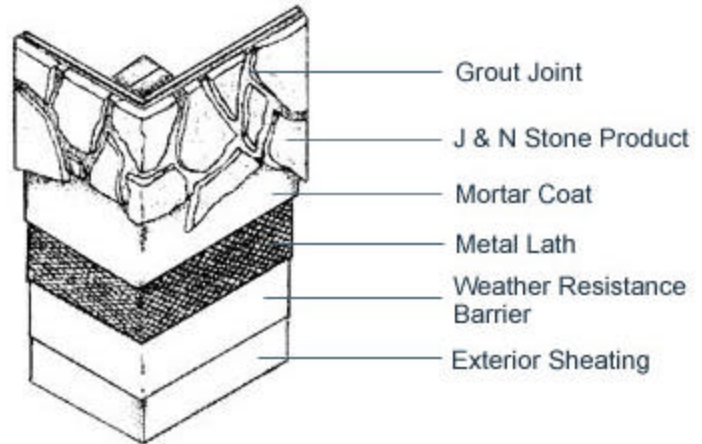




Visit us online at www.jnstone.com

Installation Guide

J & N Stone can be installed with a limited knowledge of masonry practices. Over brick, block, painted concrete, or new concrete, metal lath should be applied to ensure a good bond. Over exterior wall construction, a weather resistance barrier must be applied first under the metal lath. Please consult our installation instructions, or call our technical department for assistance.



1. Preparing the surface

J & N Stone can be applied to any structurally sound surface. Due to its light weight, no special foundation or structural alterations are necessary. On masonry walls (block, poured concrete, full brick) install 2.5 galvanized mesh directly to surface using concrete fasteners with a minimum of 3/4" length and a minimum 3/8" diameter head. For all wood or steel stud construction, all exterior sheatings should be covered with weather resistant barriers with an ASTM E1677 Type 1 such as Tyvek®. Apply a minimum of 15 lb. Felt Paper as well. Then 2.5 galvanized metal lath should be attached with galvanized nails or staples penetrating 1" into stud, 16" on center, with nails 6" apart. Lath to metal studs should be done with non-corrosive self tapping screws having a minimum of 1" in length and minimum of 3/8" diameter head. Metal lath must overlap 4" at horizontal and vertical joints. Vertical joints must overlap on a stud.



2. Applying the Scratch Coat

As a rule, lathed surface should be covered with a thin coat mortar (Type 5 ASTM C720) and allowed to set prior to installing the J & N Stone. Mortar can be mixed with enough water to achieve a workable (not too wet, or dry) consistency. The same can be used for scratch coating, for applying the J & N Stone and for grouting the joints.



3. Mortaring the Stone

Before starting to install J & N Stone, it is best to lay out the stone near your working area to give you a better choice of stone. Select a stone and apply a 1" thick, even layer of mortar to the back of the stone.



4. Applying the Stone

Press the J & N Stone firmly into place on the wall surface so that mortar behind the stone squeezes out around all sides. Using a gentle wiggling action while applying the stone will insure a good bond.



In warm weather, masonry surfaces may need to be dampened prior to installing the stone so that the moisture will not be drawn from the mortar too rapidly. To keep the stone clean during construction, start installing J & N Stone at the top of the wall surface and work down. Install the corner stones first for easiest fitting. When selecting stones, try to achieve a balanced pattern of shapes, sizes, colors, thickness and textures. Keep the mortar joints between the stones as tight and as uniform as possible. Avoid long straight unbroken lines.

5. Trimming the Stone

When necessary, J & N Stone can be cut and shaped with a hatchet, brick trowel or nippers to form special sizes and shapes for better fitting. Always try to position the trimmed stones on the wall surface so that the cut edges will not show.



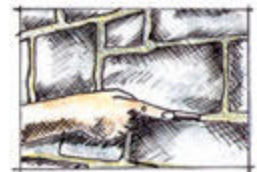
6. Grouting the Joints

After all of the J & N Stones has been applied to the wall surface, fill a grout bag with mortar, and in the manner of decorating a cake, partially fill the joints between the stones with mortar. Be sure, while grouting, to cover any noticeable broken stone edges with mortar. If you prefer colored mortar joints, oxide colors can be mixed with your mortar prior to grouting. All J & N Stone must have grout between each stone. We **DO NOT WARRANTY** a drystacking installation.



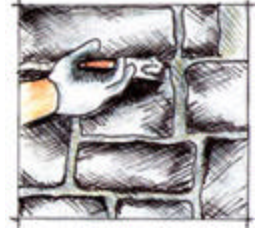
7. Striking the Joints

When the mortar joints become firm, use a wooden or metal striking tool to rake out the excess mortar to the desired depth and at the same time to force the mortar into the joints to thoroughly seal the joint edges. Be careful not to work the joints too soon or the mortar will smear.



8. Brooming

Brush the mortar joints with a whisk broom or soft brush to smooth them and clean away the loose mortar. At the same time, broom off any mortar spots from the face of the stone. Loose mortar and mortar spots which have set for only a few hours clean up easily and should never be allowed to set overnight.



9. Completion

J & N Stone does not require a sealer to warrant its guarantee. J & N Stone does not cover damage to its product from building settlement, excessive contact with salt or de-icing chemicals, paint or airborne contaminants. **ACID** should **NOT** be used for clean up. Consult your dealer or call J & N Stone, Inc. for more details.

